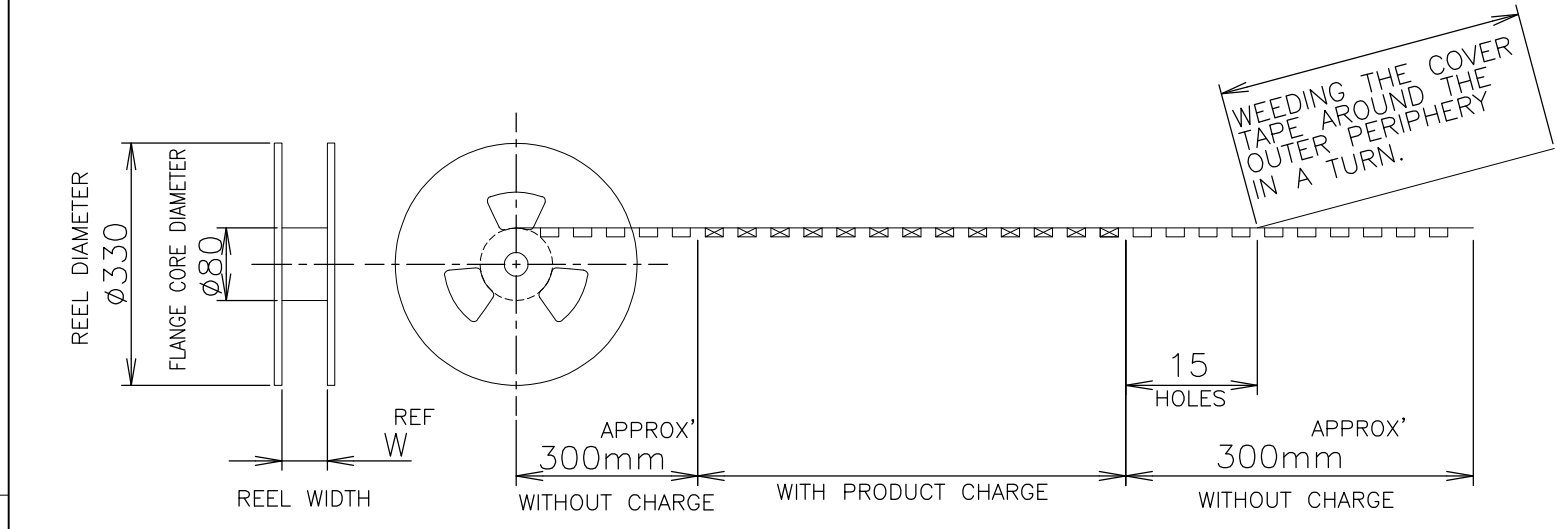
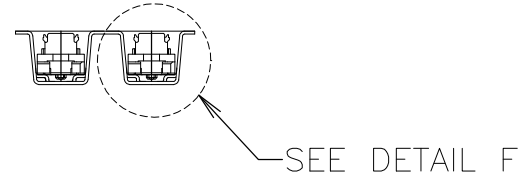
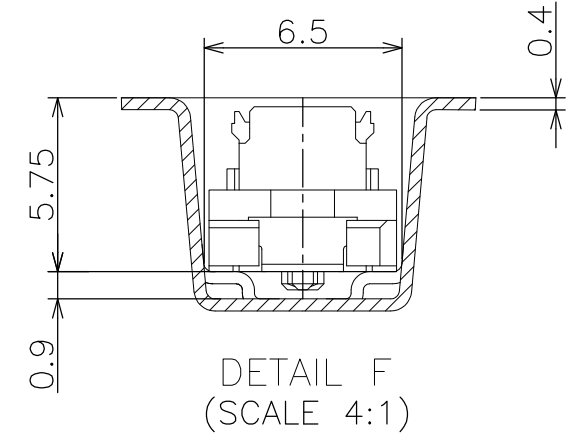
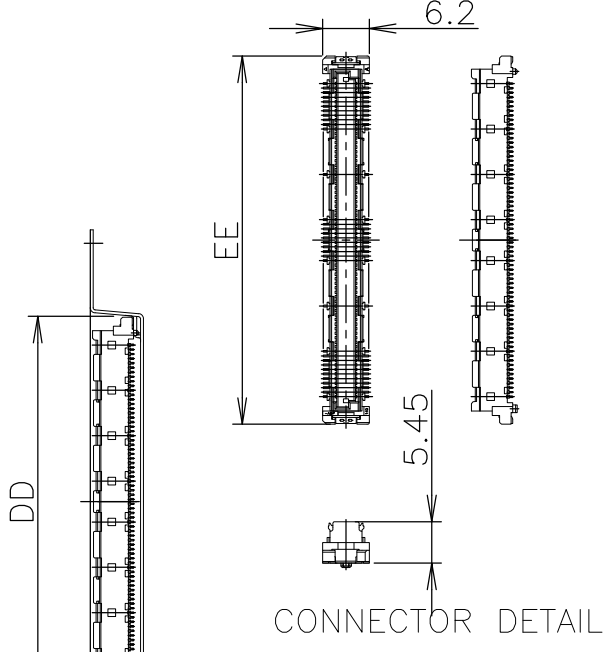
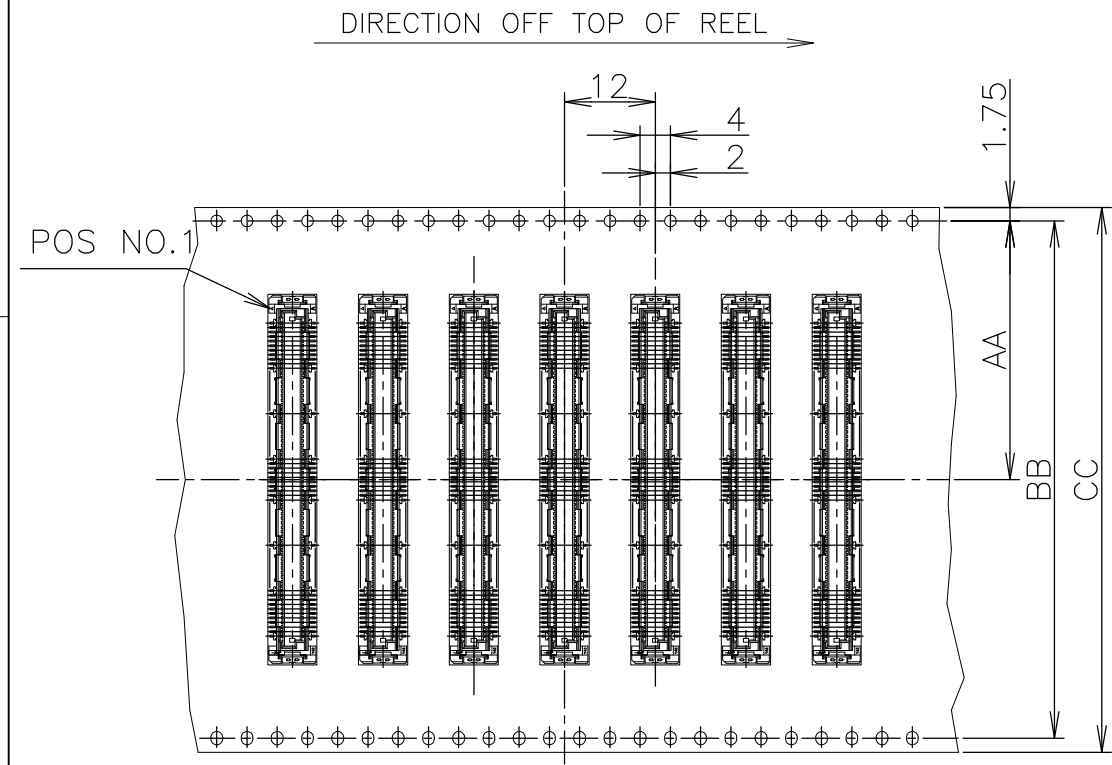


THIS DRAWING IS UNPUBLISHED. RELEASED FOR PUBLICATION JUN , 1996.
 © COPYRIGHT 1996 BY TYCO ELECTRONICS CORPORATION. ALL RIGHTS RESERVED.

LOC	DIST	REVISIONS			DATE	DWN	APVD
		P	LTR	DESCRIPTION			
J		B	REVISED	ECR-08-000339	01FEB08	T.T	T.F



SEALANT	TOOLING STATUS	QTY.	W	EE	DD	CC	BB	AA	POS.	PART NO.
NOT AVAILABLE		800	77.5	54.7	55	72	68.4	34.2	160	6-5353185-1
AVAILABLE			77.5	48.7	49	72	68.4	34.2	140	6- -0
NOT AVAILABLE			61.5	42.7	43	56	52.4	26.2	120	5- -9
NOT AVAILABLE			61.5	36.7	37	56	52.4	26.2	100	5- -8
NOT AVAILABLE			61.5	33.7	34	56	52.4	26.2	90	5- -7
NOT AVAILABLE			49.5	30.7	31	44	40.4	20.2	80	5- -6
AVAILABLE			49.5	27.7	28	44	40.4	20.2	70	5- -5
NOT AVAILABLE			49.5	24.7	25	44	40.4	20.2	60	5- -4
NOT AVAILABLE			37.5	21.7	22	32	28.4	14.2	50	5- -3
NOT AVAILABLE			37.5	18.7	19	32	28.4	14.2	40	5- -2
NOT AVAILABLE		800	29.5	15.7	16	24	11.5		30	5-5353185-1
NOT AVAILABLE		800	77.5	54.7	55	72	68.4	34.2	160	1-5353185-1
AVAILABLE			77.5	48.7	49	72	68.4	34.2	140	1- -0
NOT AVAILABLE			61.5	42.7	43	56	52.4	26.2	120	-9
AVAILABLE			61.5	36.7	37	56	52.4	26.2	100	-8
NOT AVAILABLE			61.5	33.7	34	56	52.4	26.2	90	-7
NOT AVAILABLE			49.5	30.7	31	44	40.4	20.2	80	-6
AVAILABLE			49.5	27.7	28	44	40.4	20.2	70	-5
NOT AVAILABLE			49.5	24.7	25	44	40.4	20.2	60	-4
AVAILABLE			37.5	21.7	22	32	28.4	14.2	50	-3
NOT AVAILABLE			37.5	18.7	19	32	28.4	14.2	40	-2
NOT AVAILABLE		800	29.5	15.7	16	24	11.5		30	5353185-1

THIS DRAWING IS A CONTROLLED DOCUMENT.

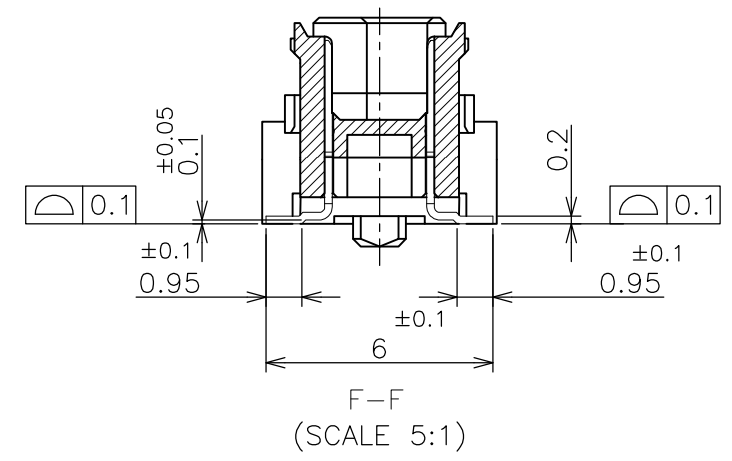
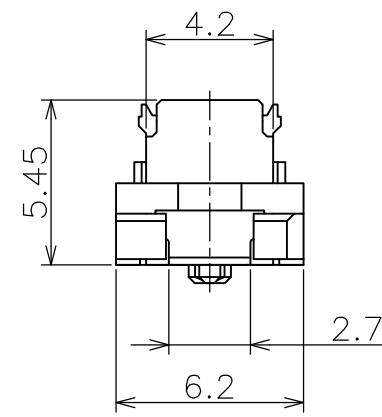
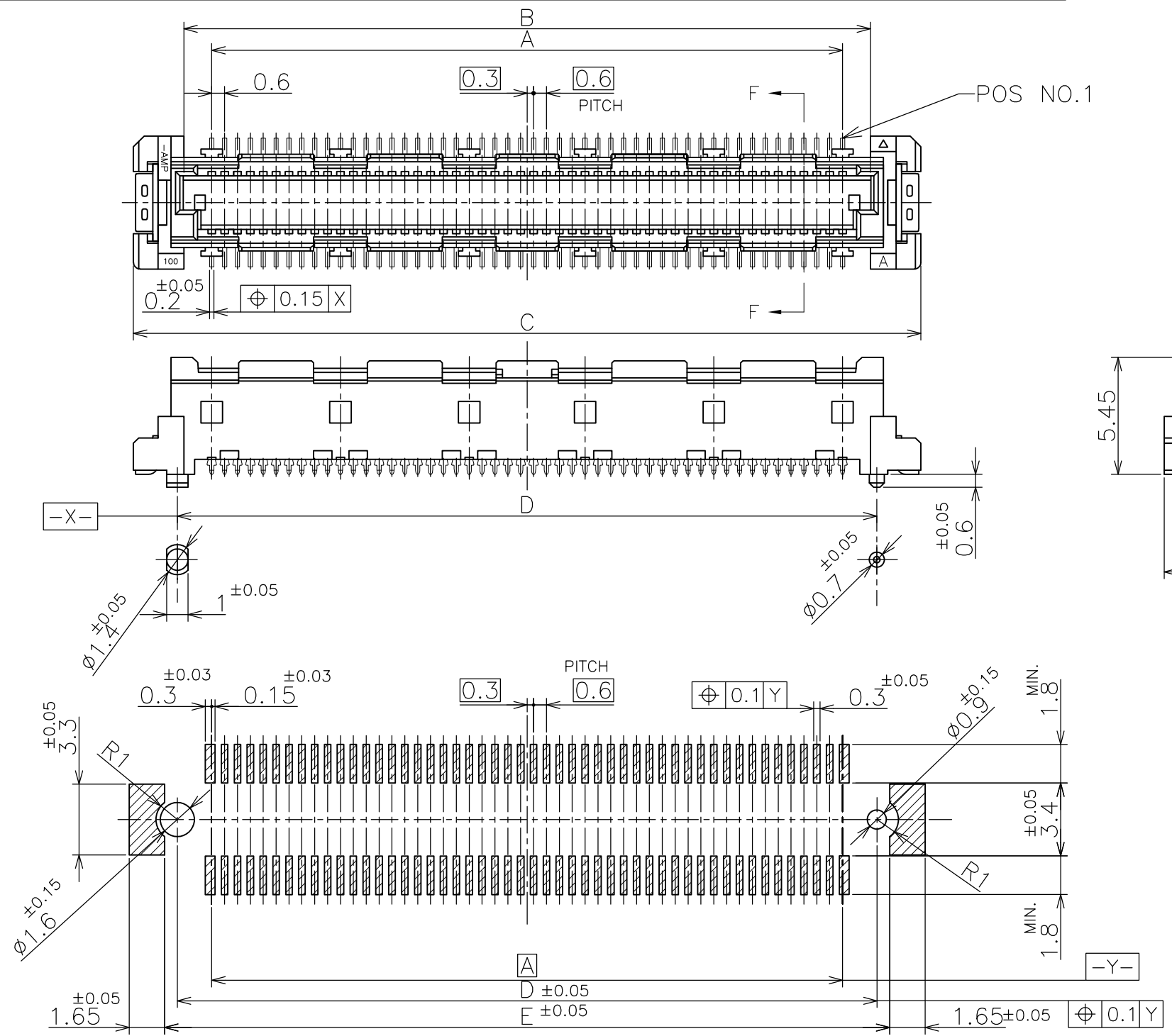
DWN LEO ZHOU 14DEC04
 CHK STEVEN YAO 14DEC04
 APVD I.ENOMOTO 14DEC04

NAME 名称: I.ENOMOTO
 PRODUCT SPEC 製品規格: 108-60047
 APPLICATION SPEC 取付適用規格: 114-5255

WEIGHT: A300779
 Tyco Electronics Corporation, Kawasaki, Japan
 EMBOSS ASSY FH 0.6BTB CONNECTOR PLUG 6H STD TYPE
 SIZE: A300779 CAGE CODE: C-5353185
 RESTRICTED TO: B

CUSTOMER DRAWING SCALE 1:1 SHEET 1 OF 2 REV B

LOC	DIST	REVISIONS		
J		P	LTR	DESCRIPTION
				DATE
				DWN
				APVD
				SEE SHEET 1



- △ MATERIAL : HOUSING : HIGH TEMP THERMO PLASTIC UL94V-0
CONTACT : COPPER ALLOY
- △ FINISH : UNDER PL Ni 0.0013mm MIN ALL OVER.
CONTACT AREA 0.0002 MIN Au PL.
SOLDERING AREA 0.001 MIN TIN PL.
- △ PACKING ASSY DWG SEE SHEET 1.
- △ THIS PRODUCT WAS COATED BY FLUX-PENETRATION-INHIDTING AGENT.

REFERENCE P.C. BOARD LAYOUT
(VIEW FROM CONN. MOUNTING SIDE)

51.8	50.6	54.7	50	47.4	160	1-5353185-1 & 6-5353185-1
45.8	44.6	48.7	44	41.4	140	1-5353185-0 & 6-5353185-0
39.8	38.6	42.7	38	35.4	120	↑ -9 & 5- ↑ -9
33.8	32.6	36.7	32	29.4	100	↑ -8 & 5- ↑ -8
30.8	29.6	33.7	29	26.4	90	↑ -7 & 5- ↑ -7
27.8	26.6	30.7	26	23.4	80	↑ -6 & 5- ↑ -6
24.8	23.6	27.7	23	20.4	70	↑ -5 & 5- ↑ -5
21.8	20.6	24.7	20	17.4	60	↑ -4 & 5- ↑ -4
18.8	17.6	21.7	17	14.4	50	↑ -3 & 5- ↑ -3
15.8	14.6	18.7	14	11.4	40	↑ -2 & 5- ↑ -2
12.8	11.6	15.7	11	8.4	30	5353185-1 & 5-5353185-1
E	D	C	B	A	POS	△ PART NO.

THIS DRAWING IS A CONTROLLED DOCUMENT.

DIMENSIONS: 単位: 耗 mm	TOLERANCES UNLESS OTHERWISE SPECIFIED: 一般公差
0 PLC ± 0.3	1 PLC ± 0.3
2 PLC ± 0.3	3 PLC ± 0.3
4 PLC ± 0.3	PLC ANGLES ± 3'
MATERIAL 材料	FINISH 仕上
△ 1	△ 2

DWN	Tyco Electronics Corporation Kawasaki, Japan	
CHK	NAME 名称	
APVD	EMBOSS ASSY FH 0.6BTB CONNECTOR PLUG 6H STD TYPE	
PRODUCT SPEC 製品規格	SIZE	CAGE CODE
APPLICATION SPEC 取付適用規格	A3	00779
WEIGHT	DRAWING NO 番号	RESTRICTED TO
CUSTOMER DRAWING	G-5353185	
SCALE 尺度	SHEET	REV
4:1	2 OF 2	B